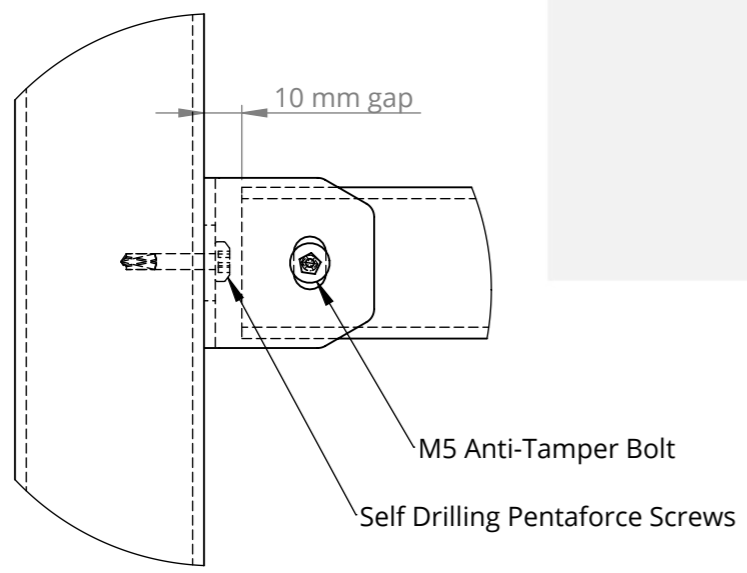
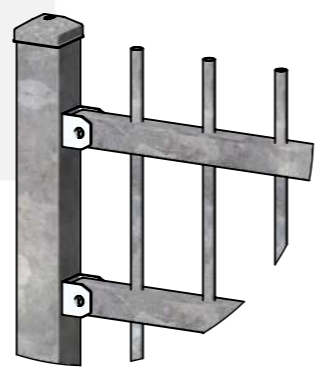


Fixing Detail

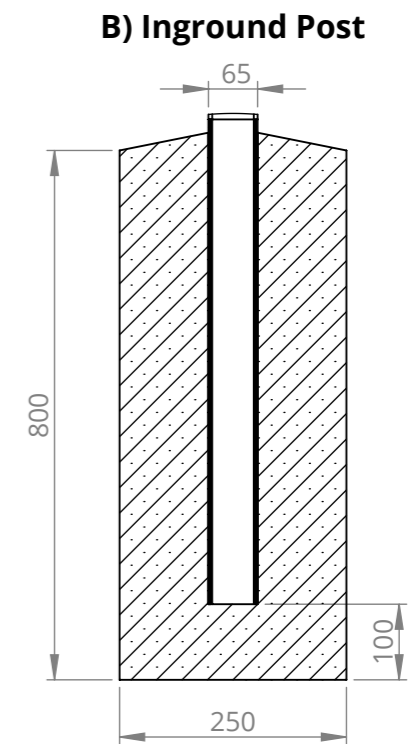
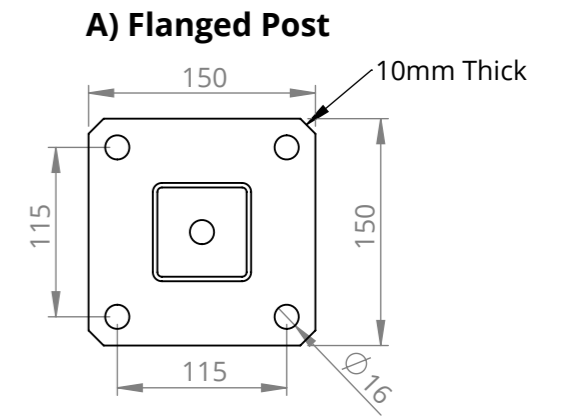
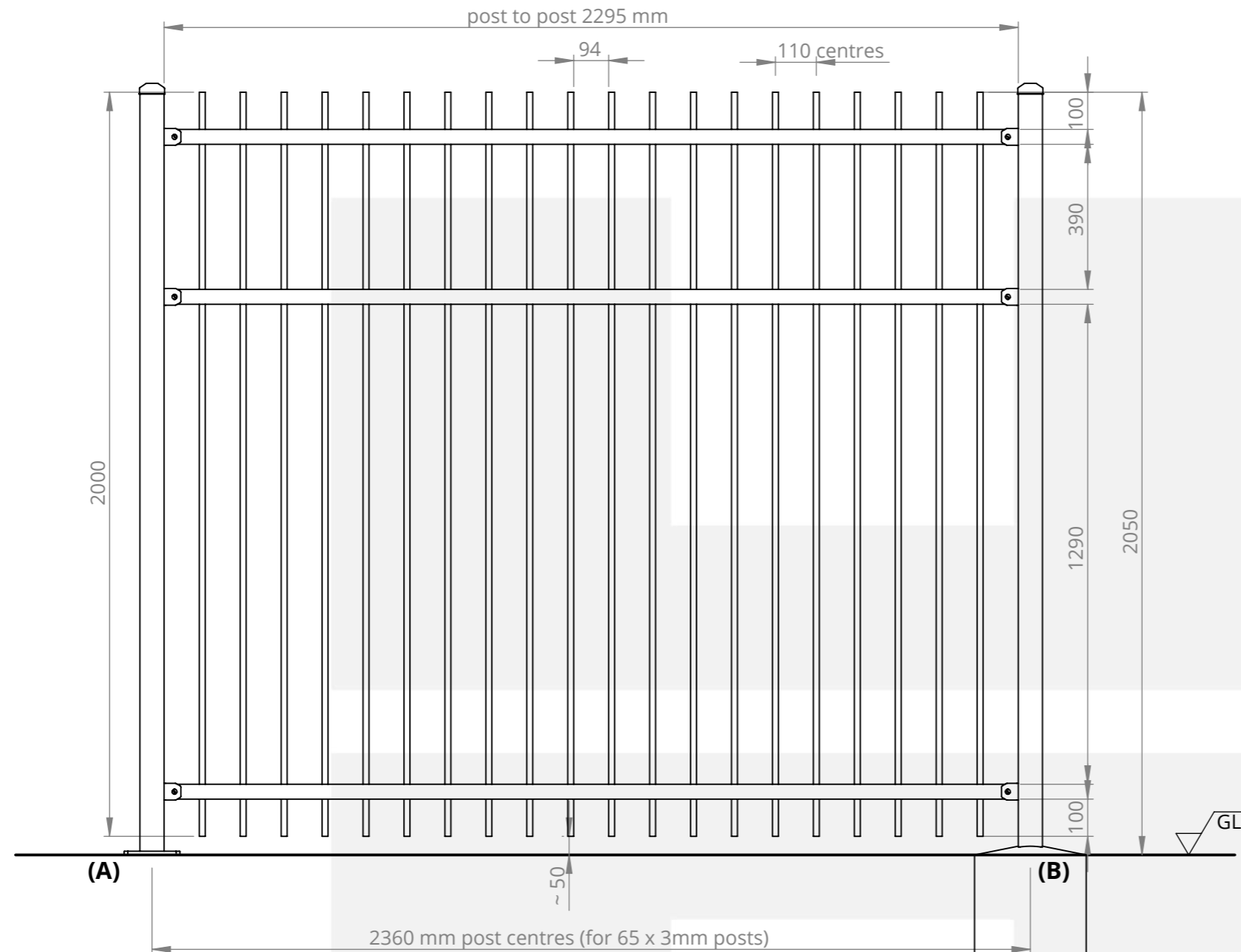


Bracket Detail

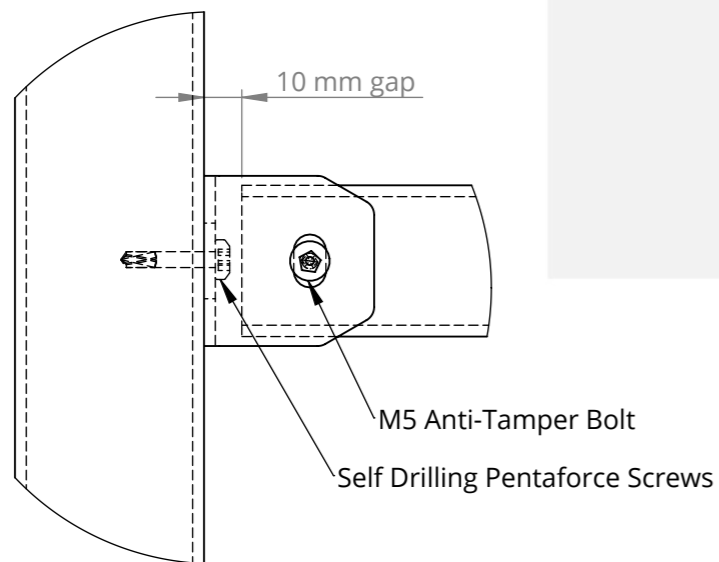


Description : Chief 1700h Rod Top Panel - V3	
Material : Black Steel	
Finish : Hot Dip Galvanised to AS/NZS 4680:2006	
Panel Weight : 32 Kg	Drawn : DJ
Notes :	
<ul style="list-style-type: none"> • Footing dimensions subject to change to suit ground conditions • Powder Coated Finish Available 	

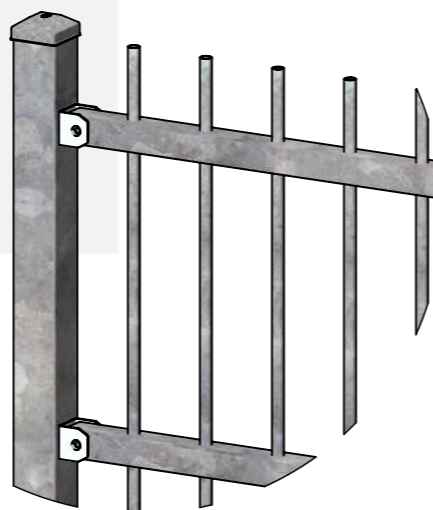
- Specs :**
- Posts: 50x3mm or 65 x 3mm
 - Pickets: Tube 16 x 1.5mm
 - Rails: SHS 40 x 1.6mm



Fixing Detail



Bracket Detail



Specs :

- Posts: 65 x 3mm
- Pickets: Tube 16 x 1.5mm
- Rails: SHS 40 x 1.6mm

Description :

Chief 2000h Rod Top Panel - V3

Material :

Black Steel

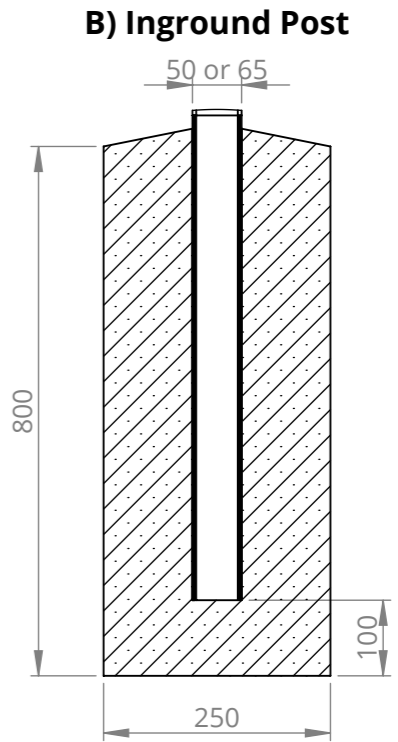
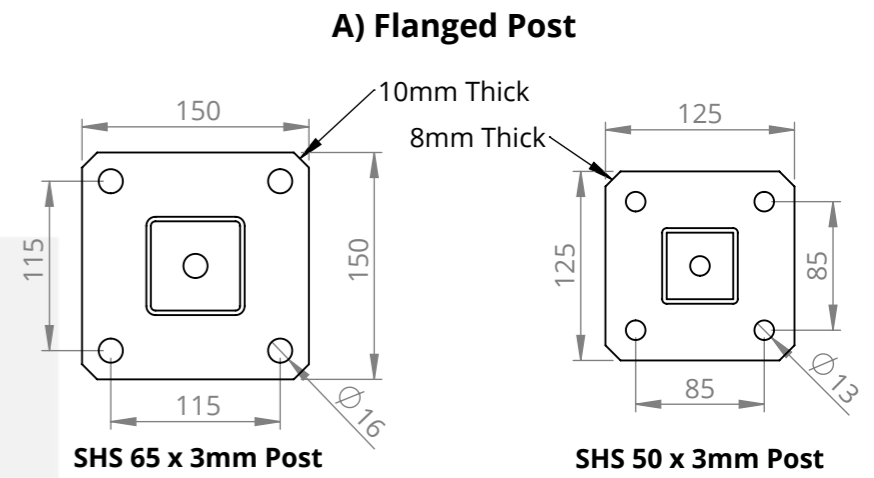
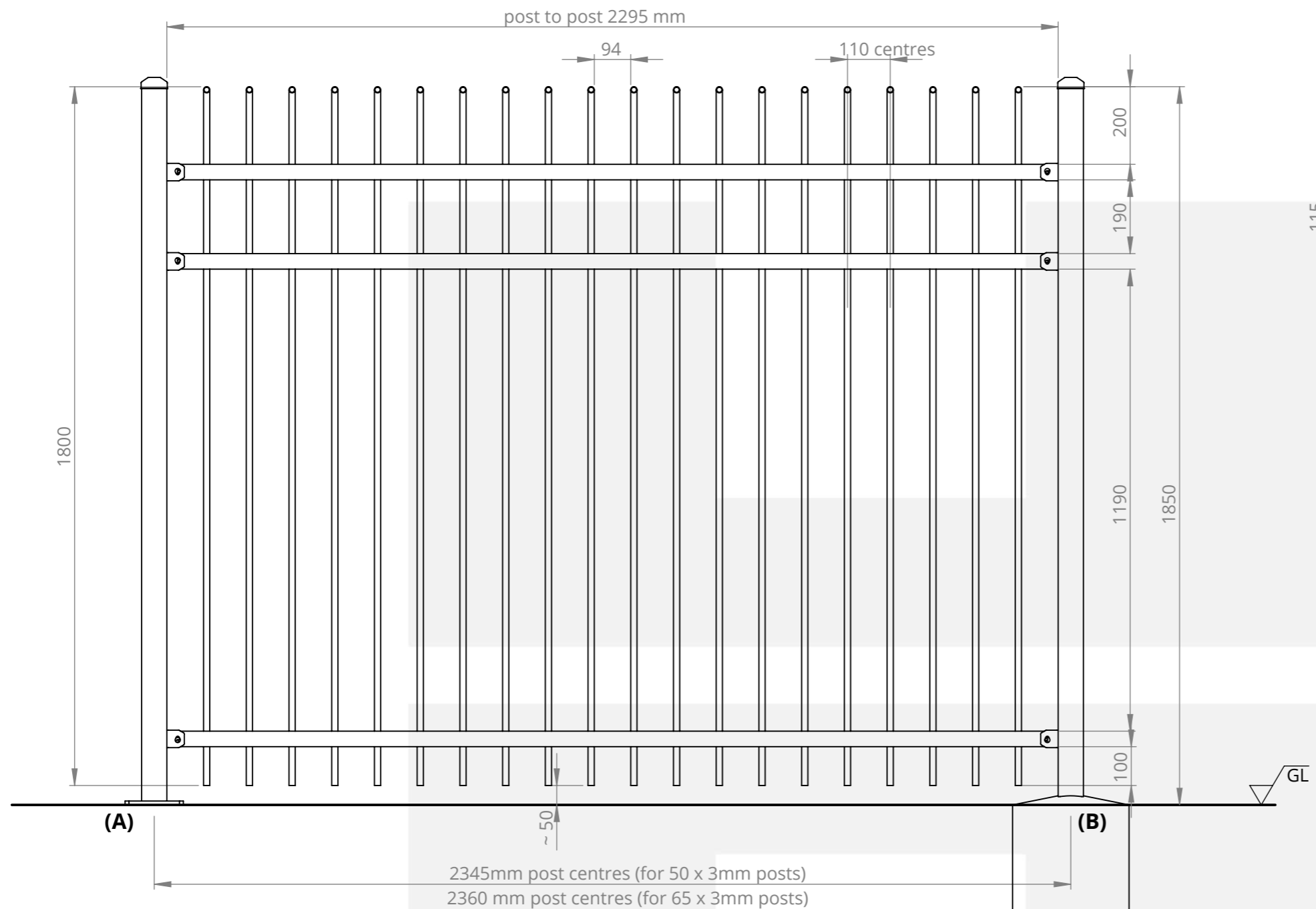
Finish :

Hot Dip Galvanised to AS/NZS 4680:2006

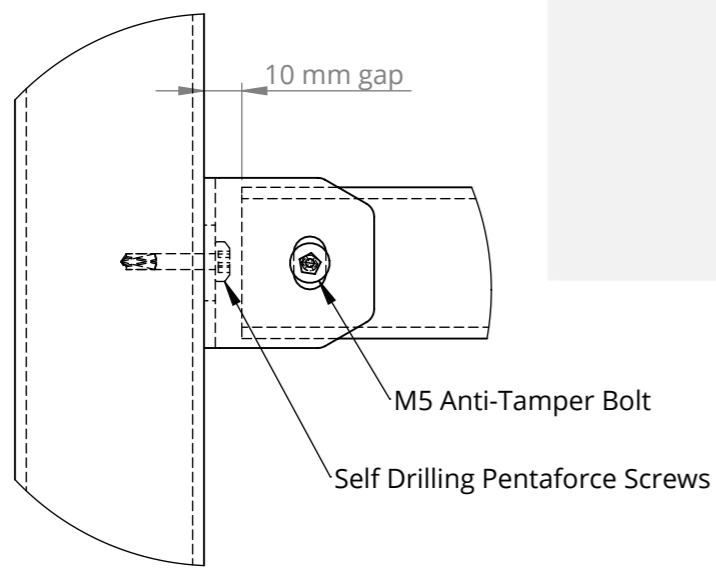
Panel Weight : 35 Kg **Drawn :** DJ

Notes :

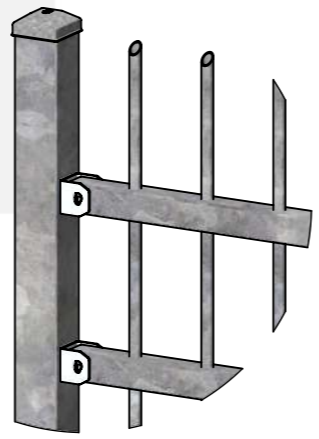
- Footing dimensions subject to change to suit ground conditions
- Powder Coated Finish Available



Fixing Detail

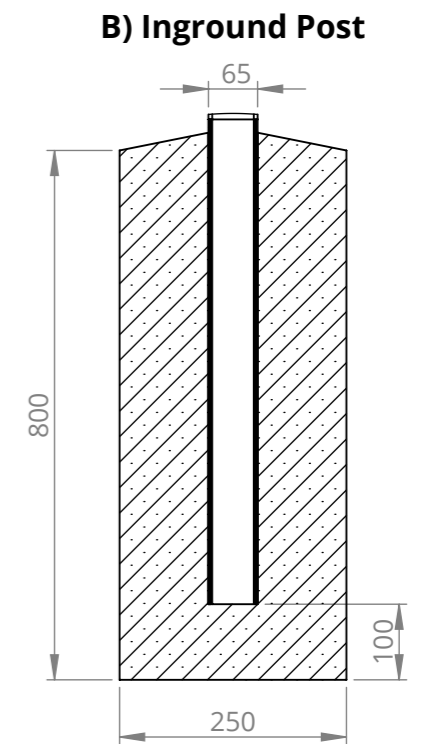
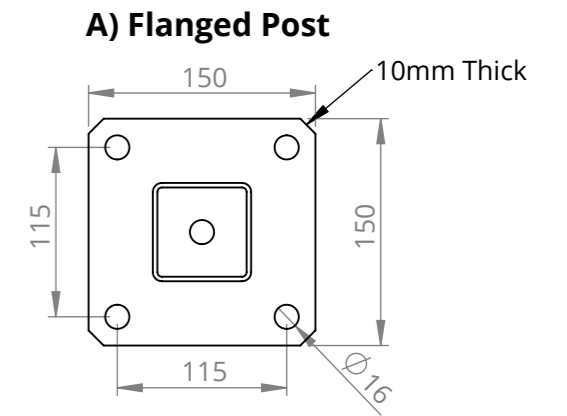
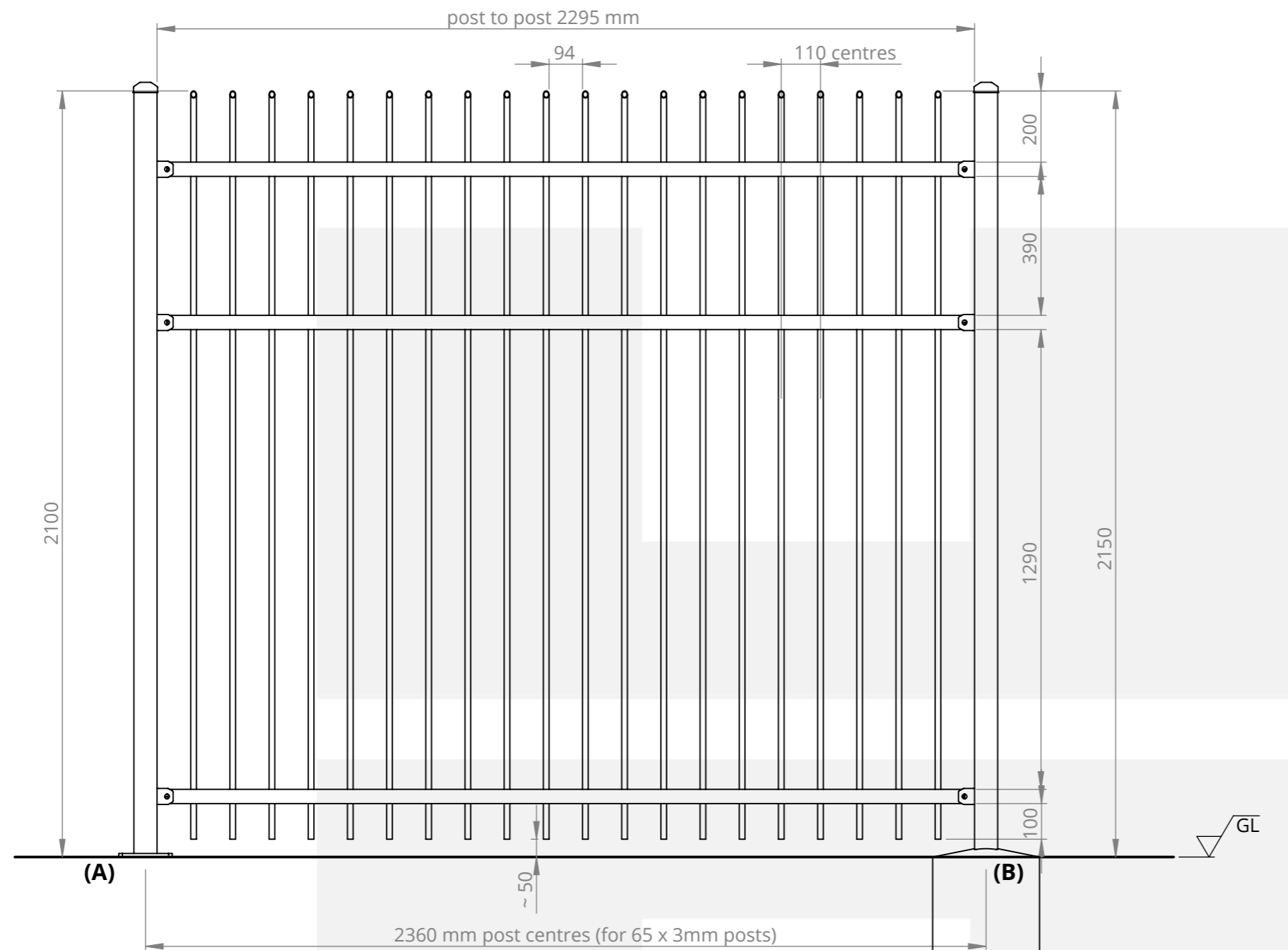


Bracket Detail

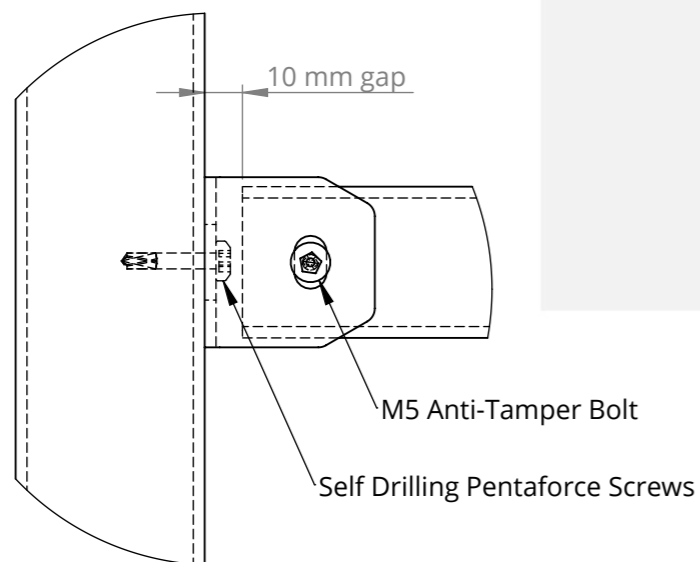


Description : Chief 1800h Spike Top Security Panel - V3	
Material : Black Steel	
Finish : Hot Dip Galvanised to AS/NZS 4680:2006	
Panel Weight : 33 Kg	Drawn : DJ
Notes :	
<ul style="list-style-type: none"> • Footing dimensions subject to change to suit ground conditions • Powder Coated Finish Available 	

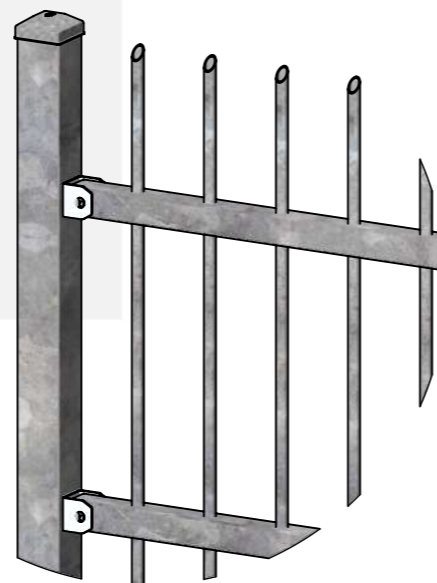
- Specs :**
- Posts: 50x3mm or 65 x 3mm
 - Pickets: Tube 16 x 1.5mm
 - Rails: SHS 40 x 1.6mm



Fixing Detail



Bracket Detail



Specs :

- Posts: 65 x 3mm
- Pickets: Tube 16 x 1.5mm
- Rails: SHS 40 x 1.6mm

Description :

Chief 2100h Spike Top Security Panel - V3

Material :

Black Steel

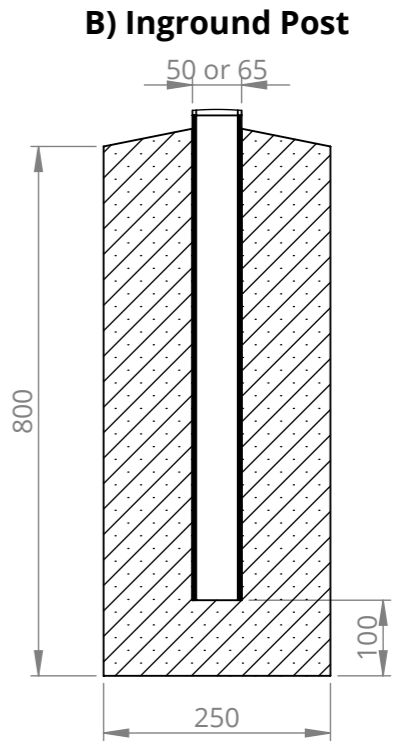
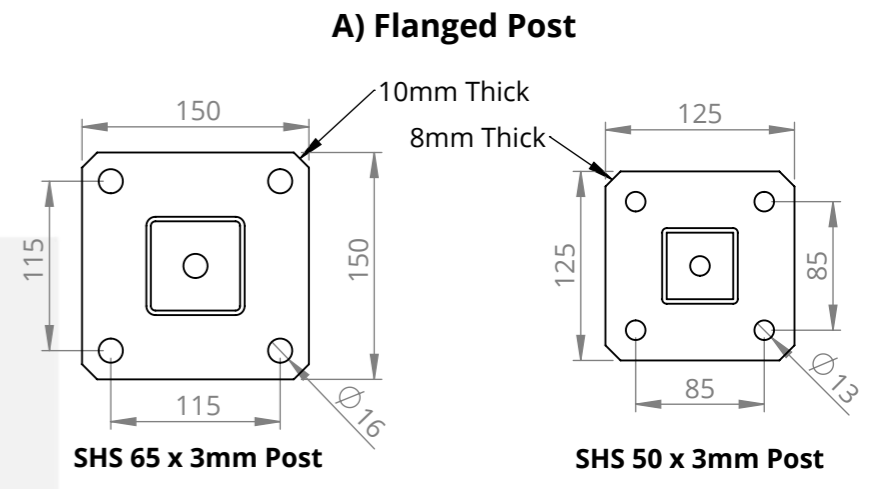
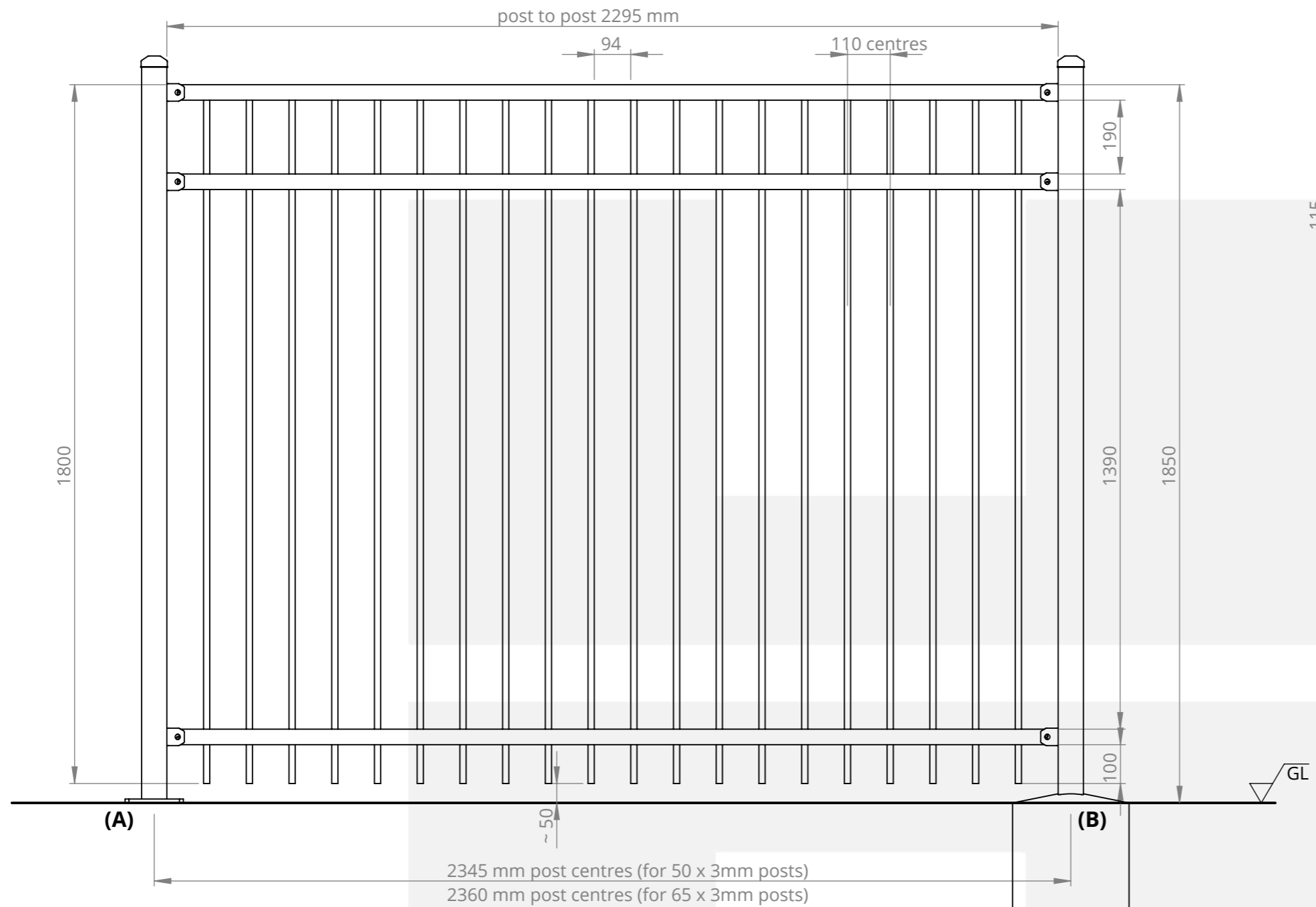
Finish :

Hot Dip Galvanised to AS/NZS 4680:2006

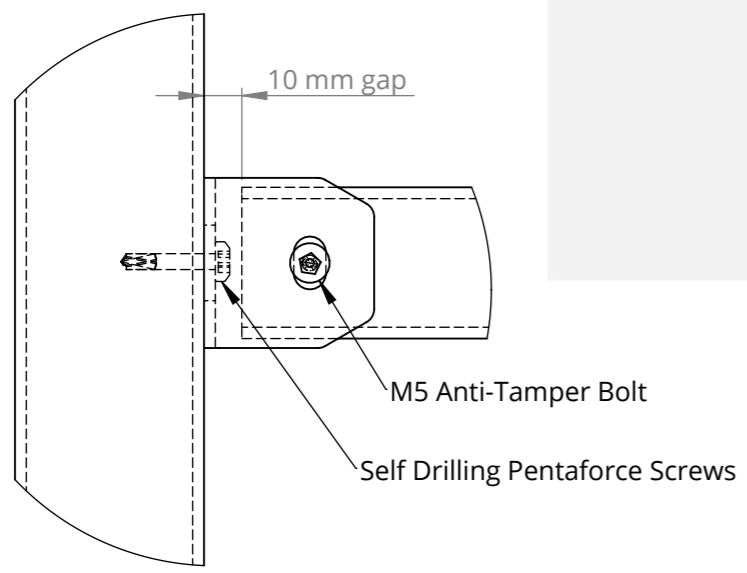
Panel Weight : 36 Kg Drawn : DJ

Notes :

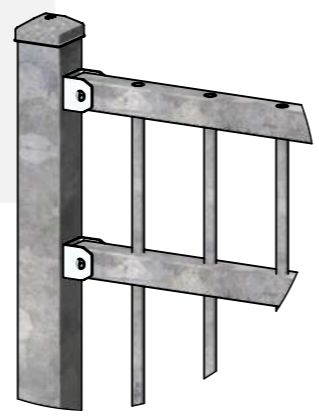
- Footing dimensions subject to change to suit ground conditions
- Powder Coated Finish Available



Fixing Detail

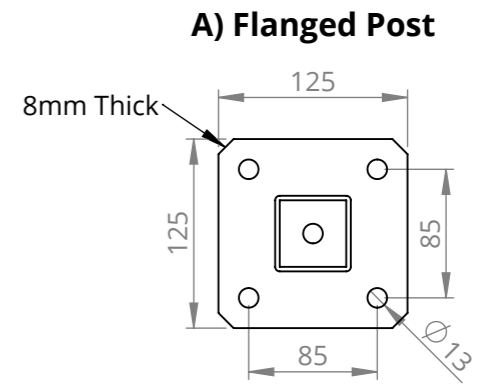
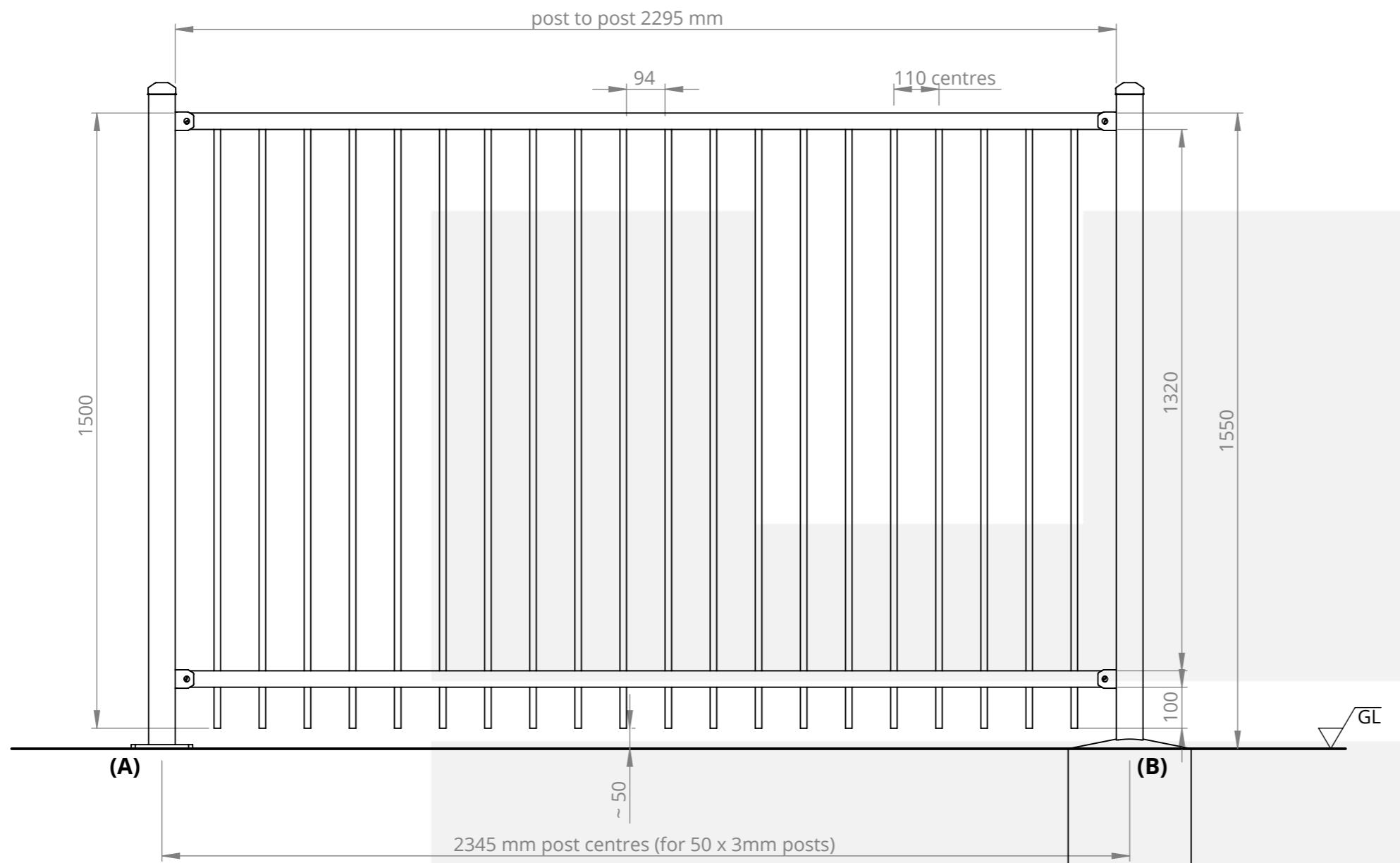


Bracket Detail

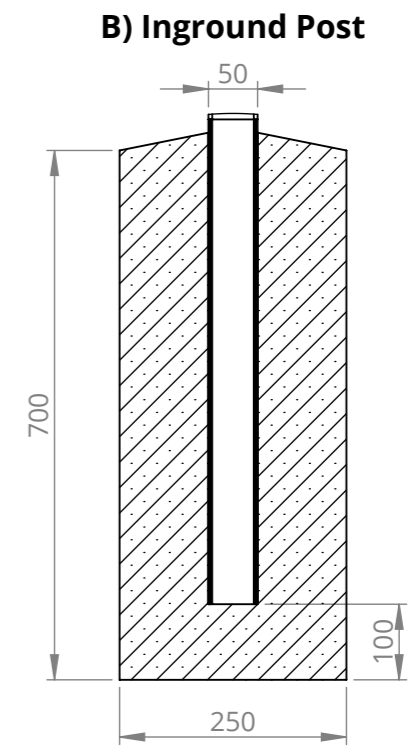


Description : Chief 1800h Flat Top Panel - V3	
Material : Black Steel	
Finish : Hot Dip Galvanised to AS/NZS 4680:2006	
Panel Weight : 33 Kg	Drawn : DJ
Notes :	
<ul style="list-style-type: none"> • Footing dimensions subject to change to suit ground conditions • Powder Coated Finish Available 	

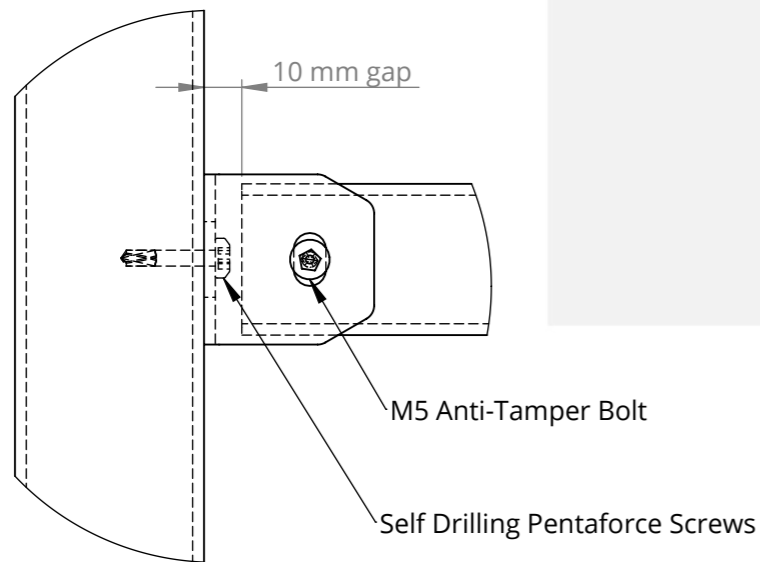
- Specs :**
- Posts: 50x3mm or 65 x 3mm
 - Pickets: Tube 16 x 1.5mm
 - Rails: SHS 40 x 1.6mm



SHS 50 x 3mm Post



Fixing Detail



Bracket Detail



Description :
Chief 1500h Flat Top Panel - V3

Material :
Black Steel

Finish :
Hot Dip Galvanised to AS/NZS 4680:2006

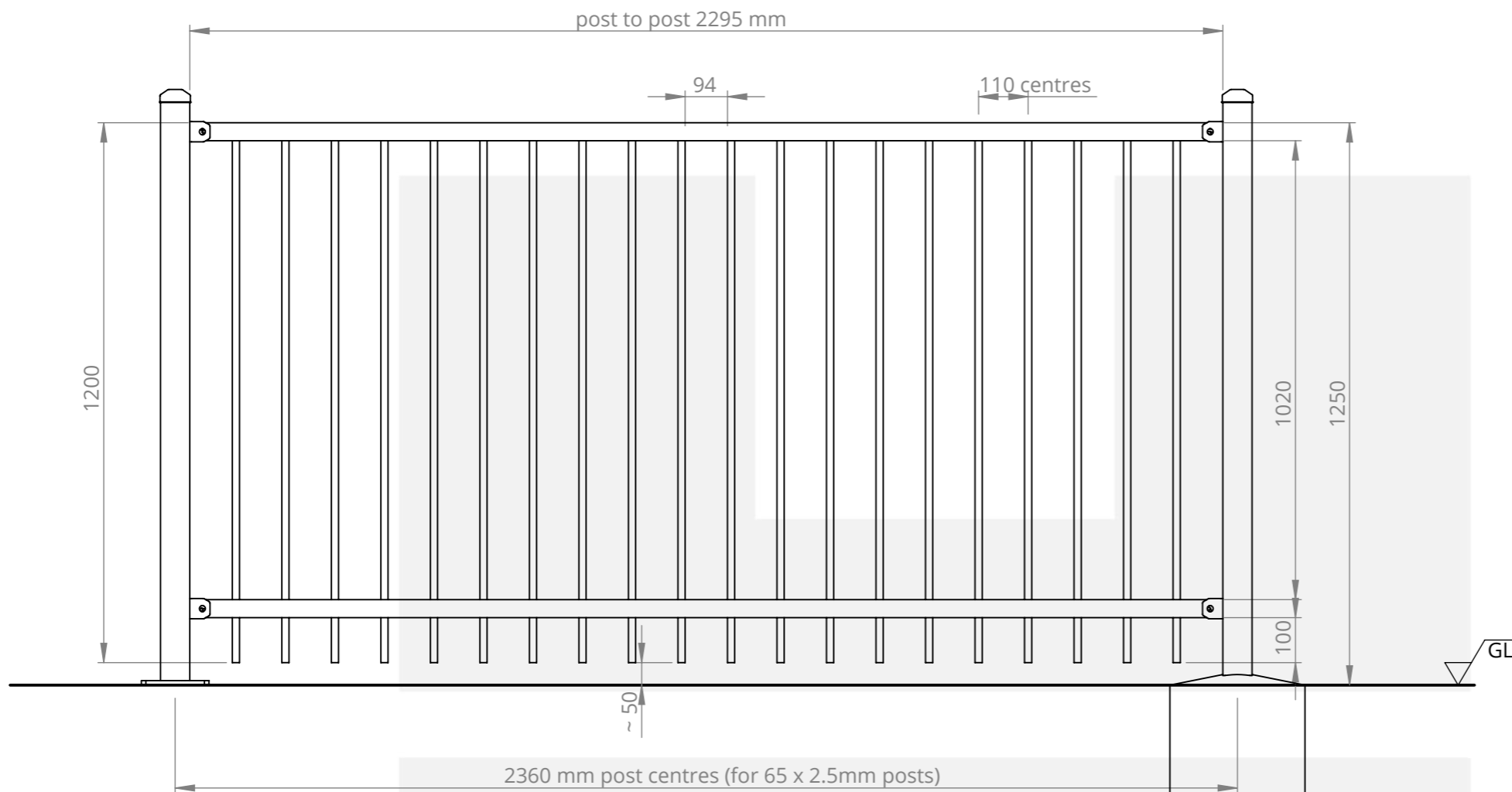
Panel Weight : 25 Kg **Drawn :** DJ

Specs :

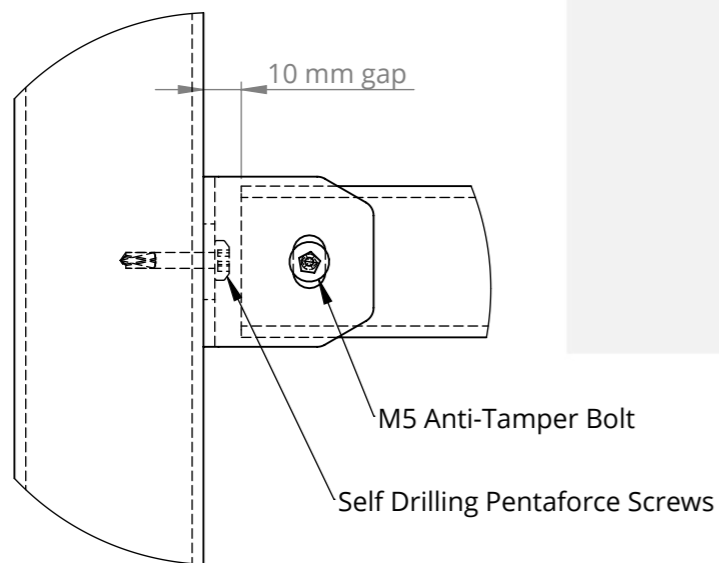
- Posts: 50 x 3mm
- Pickets: Tube 16 x 1.5mm
- Rails: SHS 40 x 1.6mm

Notes :

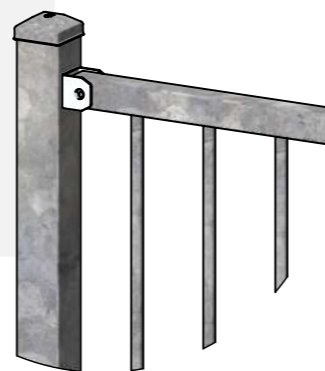
- Footing dimensions subject to change to suit ground conditions
- Powder Coated Finish Available



Fixing Detail



Bracket Detail



Specs :

- Posts: 65 x 2.5mm
- Pickets: Tube 16 x 1.5mm
- Rails: SHS 40 x 1.6mm

Description :

Chief 1200h Flat Top
Steel Balustrade Panel - V3

Material :

Black Steel

Finish :

Hot Dip Galvanised to
AS/NZS 4680:2006

Panel Weight : 22 Kg **Drawn :** DJ

Notes :

- Powder Coated Finish Available
- Refer PS1 for Footing and Post Connection Details